

Delivery Specification		No.	Page
Part Name		CNE-NU-22-100E-1	1/5
Ceramic Ultrasonic Sensor NU22E100TR-1		Shenzhen Jinci Technology Co., Ltd	

DATE : _____

TO : _____

AGENT : _____

ULTRASONIC TRANSDUCER SPECIFICATION

Shenzhen Jinci Technology Co., Ltd

Address: Block C1201, FuYuan Commerce Trading Center, Baoan Town, Shenzhen, Guangdong China(Mainland)

Telephone: (86 755) 27593409

Fax: (86 755) 27593563

Website: <http://www.jinci.cn>

E-mail: jinyi@jinci.cn

DRAWN BY	CHECKED BY	APPROVED BY

Part Name

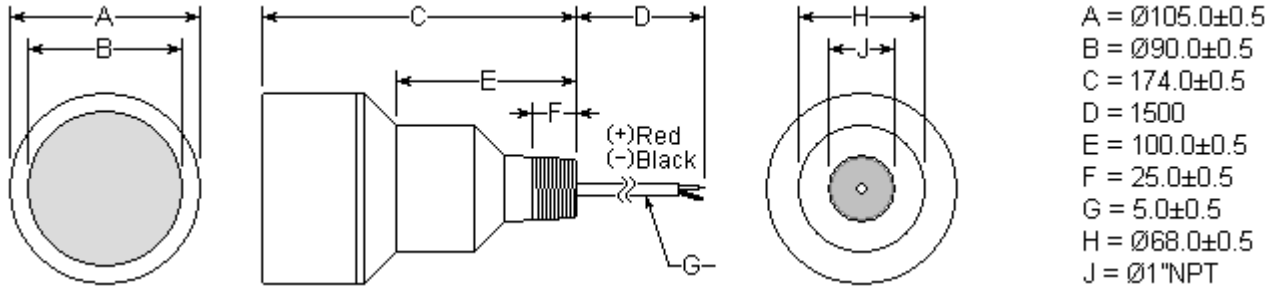
Ceramic Ultrasonic Sensor NU22E100TR-1

Shenzhen Jinci Technology Co., Ltd

1.SCOPE

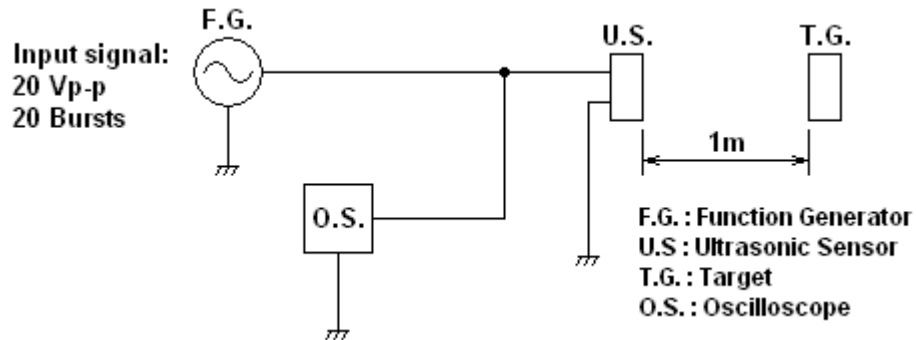
This specification shall cover the characteristics of the ceramic ultrasonic sensor with NU22E100TR-1.
 NU22E100TR-1 Compatible with transmitting and receiving.

2.OUTLINE DIMENSIONS (UNIT: mm)



3.TEST CIRCUIT

Tests in the air:



Part Name

Ceramic Ultrasonic Sensor NU22E100TR-1

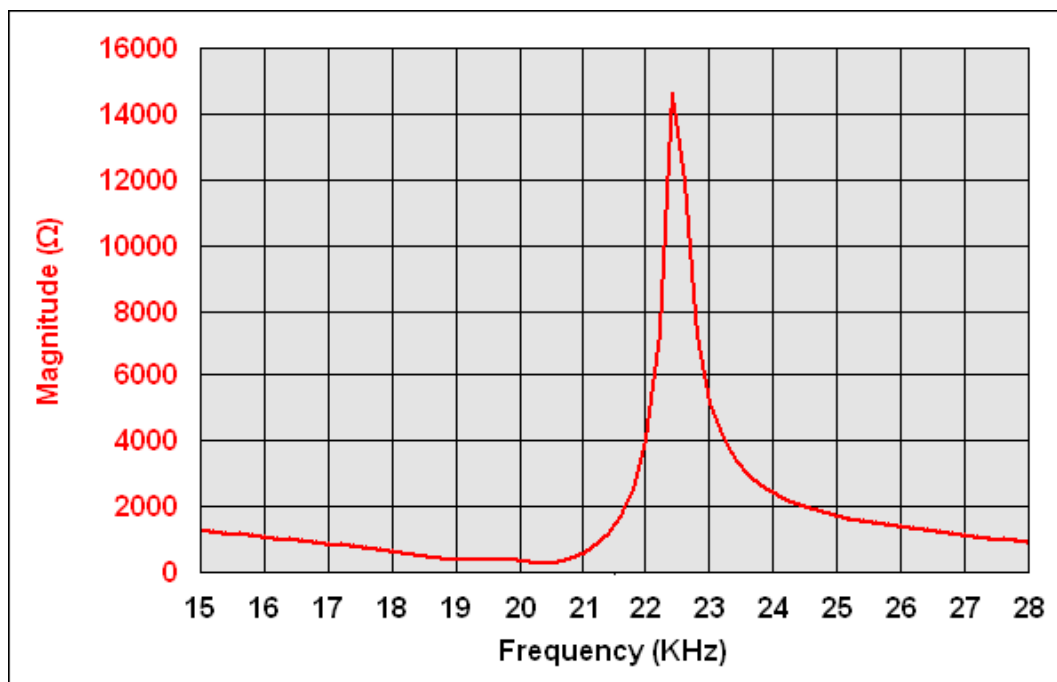
Shenzhen Jinci Technology Co., Ltd

4.CHARACTERISTICS

Part number	NU22E100TR-1
Construction	High-frequency
Using method	Dual use
Center frequency	22.0±2.0KHz
Bandwidth	2KHz
Echo Sensitivity 0dB = 20Vp-p, 20 Bursts, 1m	-60dB min
Min. Parallel Resistance	300Ω±30%
Capacitance	5000Pf±20%
Max. Input Voltage (Pulse)	2800Vp-p
Directivity (-3dB)	14°±2°
Distance of Detection	0.8~30m
Protection Class	IP67
Material	ABS
Operating temperature	-20°C~+70°C
Storage Temperature	-35°C~+85°C

- All specification taken typical at 25°C

5.FREQUENCY / IMPEDANCE

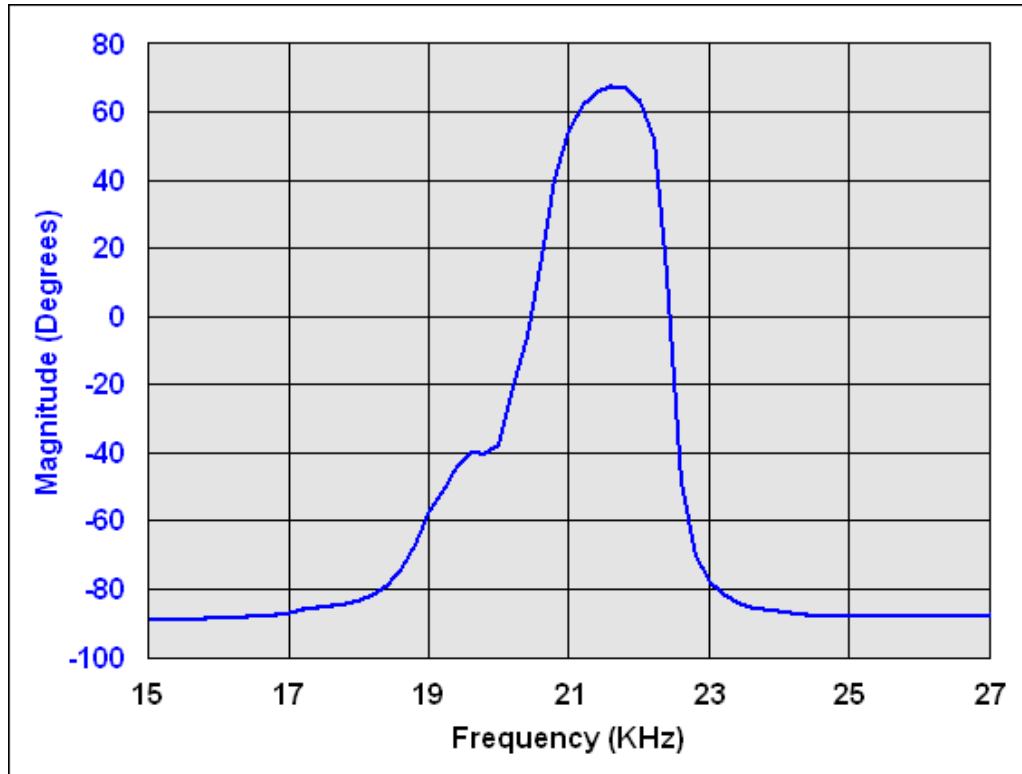


Part Name

Ceramic Ultrasonic Sensor NU22E100TR-1

Shenzhen Jinci Technology Co., Ltd

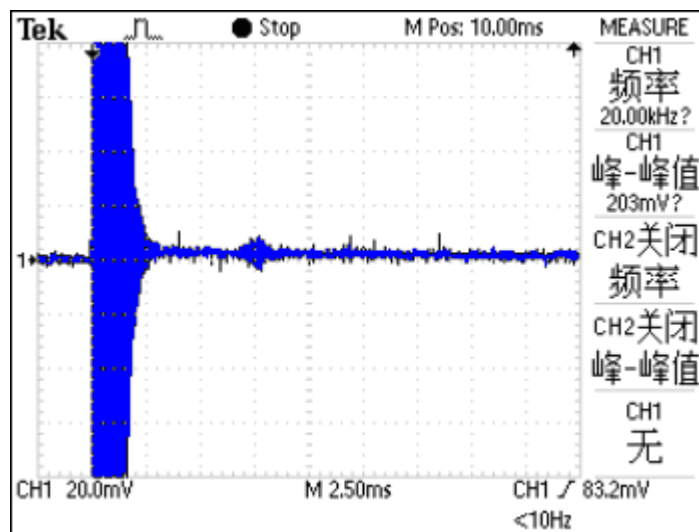
6.FREQUENCY / PHASE ANGLE



6. ECHO SENSITIVITY / RINGING

Tested under:

Voltage launched 20Vp-p, 20 Bursts, 1m



Part Name

Ceramic Ultrasonic Sensor NU22E100TR-1

Shenzhen Jinci Technology Co., Ltd

7. Beam Angle

