

Delivery Specification		No.	Page
Part Name		CNE-NU-14-140E-1	1/5
Ceramic Ultrasonic Sensor NU14E140TR-1		Shenzhen Jinci Technology Co., Ltd	

DATE : \_\_\_\_\_

TO : \_\_\_\_\_

AGENT : \_\_\_\_\_

## ULTRASONIC TRANSDUCER SPECIFICATION

Shenzhen Jinci Technology Co., Ltd

Address: Block C1201, FuYuan Commerce Trading Center, Baoan Town, Shenzhen, Guangdong China(Mainland)

Telephone: (86 755) 27593409

Fax: (86 755) 27593563

Website: <http://www.jinci.cn>

E-mail: [jinyi@jinci.cn](mailto:jinyi@jinci.cn)

DRAWN BY	CHECKED BY	APPROVED BY

Part Name

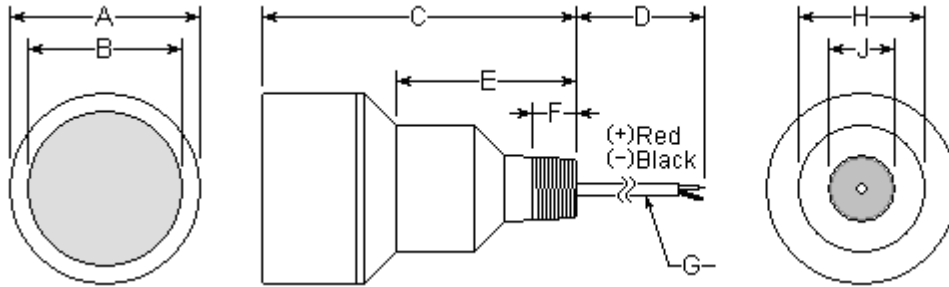
Ceramic Ultrasonic Sensor NU14E140TR-1

Shenzhen Jinci Technology Co., Ltd

1.SCOPE

This specification shall cover the characteristics of the ceramic ultrasonic sensor with NU14E140TR-1.  
 NU14E140TR-1 Compatible with transmitting and receiving.

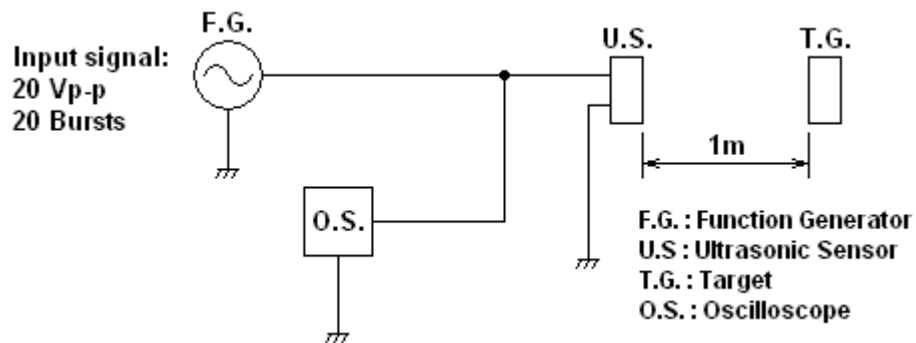
2.OUTLINE DIMENSIONS (UNIT: mm)



- A =  $\varnothing 141.0 \pm 0.5$
- B =  $\varnothing 115.0 \pm 0.5$
- C =  $235.0 \pm 0.5$
- D = 1500
- E =  $125.0 \pm 0.5$
- F =  $25.0 \pm 0.5$
- G =  $5.0 \pm 0.5$
- H =  $\varnothing 80.0 \pm 0.5$
- J =  $\varnothing 1''\text{NPT}$

3.TEST CIRCUIT

Air test:



Part Name

Ceramic Ultrasonic Sensor NU14E140TR-1

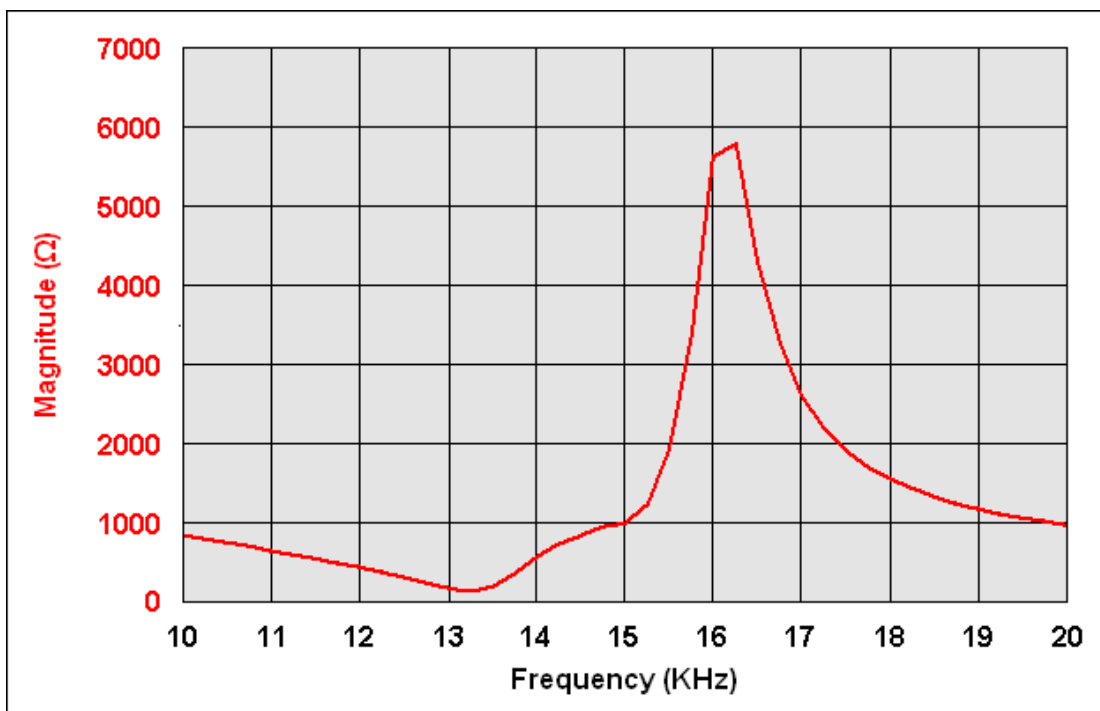
Shenzhen Jinci Technology Co., Ltd

4.CHARACTERISTICS

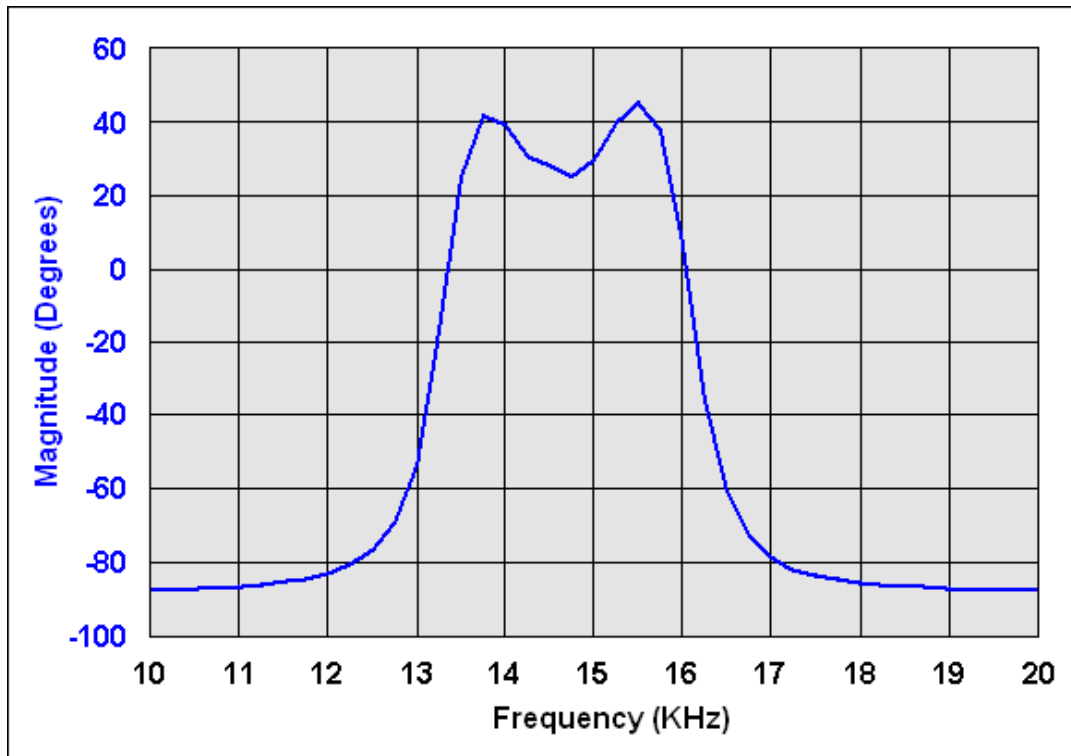
Part number	NU14E140TR-1
Construction	High-frequency
Using method	Dual use
Center frequency	14.0±2.0KHz
Bandwidth	1.5KHz
Echo Sensitivity 0dB = 20Vp-p, 20 Bursts, 1m	-55dB min
Min. Parallel Resistance	280Ω±30%
Capacitance	11000Pf±20%
Max. Input Voltage (Pulse)	4000Vp-p
Directivity (-3dB)	15°±2°
Distance of Detection	1.0~45m (Reflect)
Protection Class	IP67
Material	ABS
Operating temperature	-20°C~+70°C
Storage Temperature	-35°C~+85°C

- All specification taken typical at 25°C

5.FREQUENCY / IMPEDANCE



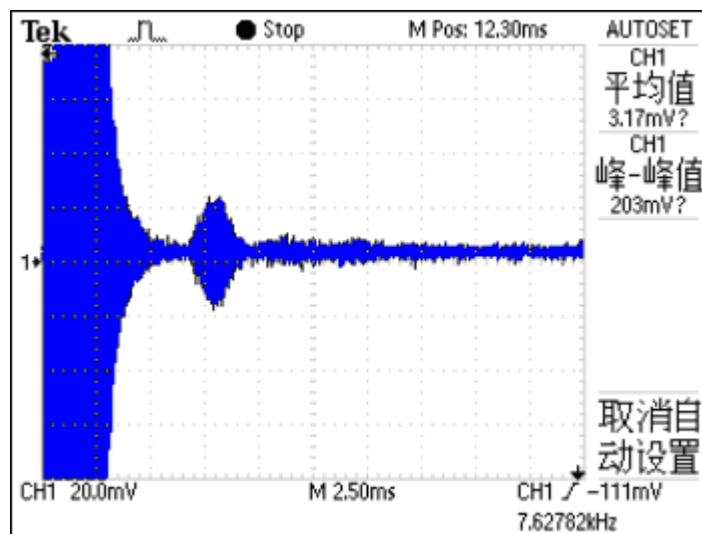
6.FREQUENCY / PHASE ANGLE



6. ECHO SENSITIVITY / RINGING

Tested under:

Voltage launched 20Vp-p, 20 Bursts, 1m



Part Name

Ceramic Ultrasonic Sensor NU14E140TR-1

Shenzhen Jinci Technology Co., Ltd

7. Beam Angle

